

Valuation

NAME: #003100280362

Valuation #DH56557

ADDRESS:

On Behalf Of: Runaway Bay Cash Converters



Registered Valuer



DATE: 4th April 2024

This Valuation has been prepared for the sole purpose of Retail Replacement

One 14kt (stamped) White Gold Ring. Ring is set with forty four(44) Diamonds. {as per photo}

Centre Diamond{1}:

ADGL Diamond Certificate #H09369 forms an attachment to this Valuation.
This stone is laser inscribed with ADGL H09369.

Cut... Round Brilliant Cut

Dimensions... 5.10-5.13mm

Weight... 0.50ct

Grades... I (Slightly Tinted White) P1

Shoulder Diamonds{43}:

Cut... 43 @ Round Brilliant Cut

Estimated Dimensions... 2 @ 2.3mm, 24 @ 1.5mm, 16 @ 1.4mm

Estimated Weights... 2 @ 0.05ct, 24 @ 0.015ct, 16 @ 0.01ct

Estimated Grades... H/I (White/Slightly Tinted White) P1/P2

Total Estimated Diamond Weight = 1.12ct



Ring:

Width of Back of Shank: 2.3mm

Width at Head of Ring: 10.3mm

Type of Manufacture: Cast

Condition: Good

Total Weight Of Ring: 4.84grams

Gold Price: US\$2301 **US Exchange Rate:** AU\$=0.65c

- *NB 1 - This is to certify that I have examined the goods as described above for RETAIL REPLACEMENT purposes from 'Haigh's Jewellers and I supply my opinion for Value at the date of issue.
- *NB 2 - Insurers please note that this Valuation has been prepared in accordance with the guide lines as suggested by the ACCC and is focused on a specific market place replacement should a loss occur
- *NB 3- This valuation is not to be used for advertising, marketing or selling purposes.
- *NB 4- This Valuation is not suitable for any purpose other than the purpose(s) stated above and should not be relied on by any entity besides the addressee, unless specifically noted. This valuation is subject to the terms and conditions supplied on the take in form at the time of requesting the valuation.
- *NB 5 - This item may possibly include Synthetic Diamonds, advanced Gemmological testing would be needed for confirmation.

TOTAL: Six Thousand Two Hundred Dollars Only \$6,200.00

DEBRA HAIGH - FGAA Dip DT GIA AJP

Registered Valuer #Q120

Fellow of Gemmological Association of Australia #2974

Diploma of Diamond Technology #317

GIA Applied Jewellery Professional

Signed.....

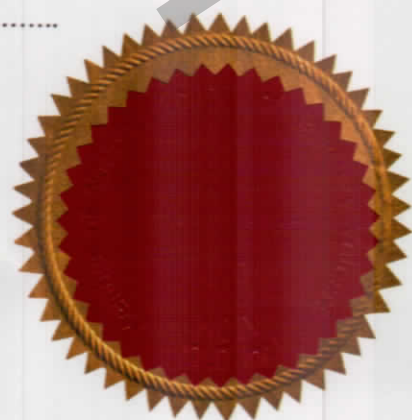
The articles described above have been carefully examined and the values given above are an expression of my opinion. Unless stated, gemstones have not been removed from settings for accurate assessment, all grades and weights are approximate. Whilst all care has been taken in making this Valuation, no liability is accepted for any errors or omissions in the certificate, including any liability to any person by reason of negligence. Values expressed in Australian Dollars including Goods and services Tax (GST).

IMPERIAL GEM PTY LTD

Shop 2c, 139 Boat Harbour Drive Hervey Bay QLD 4655

PO Box 370 Pialba Hervey Bay QLD 4655

info@haighsjewellers.com.au Ph ... 07 4128 3326 ABN ... 18 011 013 308



Attachment to Val DHS6557 (sn 003100280362)



ADGL
 Australian Diamond Grading Laboratory
 www.adgl.com.au

Cut grade calculated by
 GIA Facetware™

The following were, at the time of examination by the Australian Diamond Grading Laboratory (ADGL) the characteristics of the diamond described herein using the following equipment: 10x magnification fully corrected triplet loupe and binocular microscope, diamondlite, diamond colour master stones and digital diamond colour grading machine, ultraviolet lamps, millimetre gauge, carat balance, OGI MegaScope Progression Analyser and ancillary instruments as necessary.

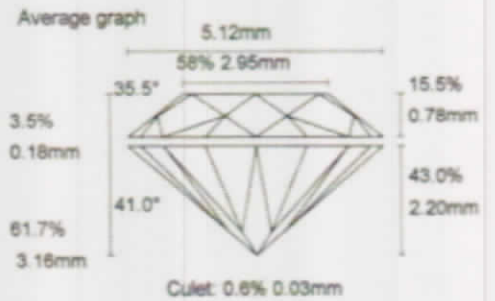
This diamond has been graded under the internationally recognised standards of the ICA; Carat Weight, Colour, Clarity and Cut. This report is not a valuation or appraisal. The recipient of the report may wish to consult an accredited jeweller or gemmologist about the importance and interrelationship of cut, colour, clarity and carat weight.

The characteristics for this diamond have been established in accordance with strict guidelines for quality control and using scientific methods together with state of the art technology.

CERTIFICATE NO. H09369

16/09/2010

Shape ROUND
Carat Weight 0.50 ct
Diameter mm (5.10 - 5.13) 5.12
Table Size % 58
Crown Angle ° 35.50
Pavilion Angle ° 41.00
Star Length % 44.7
Lower Half % 72.3
Girdle Thickness % 3.46
Culet Size % 0.6
Crown Height % 15.50
Pavilion Depth % 43.00
Total Depth % 61.7
Cut Grade VERY GOOD



Symmetry GOOD
Polish VERY GOOD

Colour I
Clarity I1

Comments Inscribed ADGL H09369 & michael hill

Signature

M. Muller B. Coates, G.I.A. (IDAG) (1961)



michael hill

GIA Colour Grading Scale



GIA Clarity Grading Scale

